

airmaster

□□□□□□ □ **B**

SPECIAL FEATURES

- PP CASE & BAZEL
- DRY OR LIQUID FILLED
- CHEMICAL PROOF

APPLICATIONS

FOOD & BEVERAGE, PHARMACEUTICAL, CRYOGENICS, CHEMICAL & PETROCHEMICAL INDUSTRIES, CONVENTIONAL & NUCLEAR POWER PLANTS, PUMPS, HYDRO-CLENING MACHINES, PRESSES, ENGINE COMPRESSORS, TURBINES, DIESEL ENGINES & REFRIGERATING PLANTS.



SPECIFICATIONS

STANDARD VERSION: 100mm, 150mm

Accuracy	: ± 1.0% of F.S.
Ambient Temperature	: -25°C to + 65°C
Process Temperature	: Maximum 300°C
Operating Pressure	: 75% of the Scale Value
Over Pressure Limit	: 30% for the Pressure Ranges upto 600 kg/cm ² 15% for the Pressure Ranges above 600 kg/cm ²

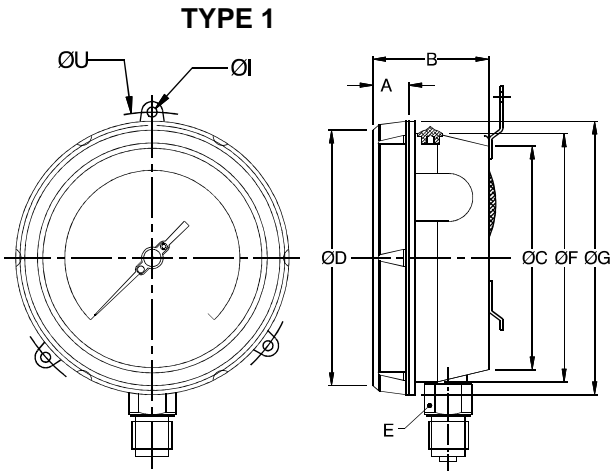
Case	: POLYPROPYLENE (PP)
Ring	: POLYPROPYLENE (PP)
Bourdon	: BRASS
Socket	: BRASS
Movement	: BRASS
Joints	: Alloy Brazing / Soldering

Protection	: IP 65
Dial	: Alluminium, Black Graduation on white background
Pointer	: Alluminium, Black Coloured, Zero Adjustable
Window	: Toughened / Safety Glass
Blow of Disc	: Neoprene
Filling Plug	: Neoprene

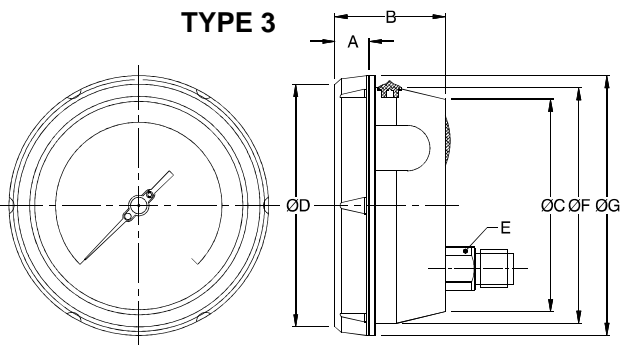
GLYCERIN FILLED VERSION (OPTION GLY)

Accuracy	: ± 1.0% of F.S.
Ambient Temperature	: Maximum 65°C
Process Temperature	: +15°C / 65°C
Window	: Toughened / Safety Glass
Dampening Liquids	: Glycerin 98%
Other Features	: Refer Specifaicon of Standard Version

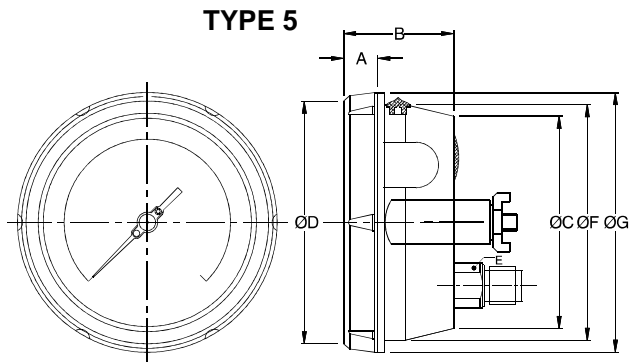
DIMENSIONS - STANDARD VERSION



NS	A	B	ØC	ØD	E	ØU	ØI	Weight (With Glycerin & Box)
100	16	54	106	120	17	118	6	996
150	16	54	157	169	17	168	6	1782



NS	A	B	ØC	ØD	E	ØF	ØI	Weight (With Glycerin & Box)
100	16	54	106	120	17	116.5	129	1050
150	16	54	157	169	17	167	179	1875



NS	A	B	ØC	ØD	E	ØF	ØG	Weight (With Glycerin & Box)
100	16	54	106	120	17	116.5	129	1180
150	16	54	157	169	17	167	179	2015

Notes: *Drawings are not to scale. *All Dimensions are in mm. *NS = Nominal Size.

RANGE TABLE

Note : Airmaster offers National / International Scales like kPa, Mpa, bar, psi, kg/cm², mbar, mmWC, inWC & Dual Scale like kPa with psi, kPa with bar, bar with psi or Equivalent scales as per the requirement can be provided on request

Following are the example tables for kg/cm² & psi scales.

PRESSURE

SINGLE SCALE (kg/cm ² or bar)				
RANGE	RANGE	RANGE	RANGE	RANGE
0/0.6	0/4	0/25	0/160	0/1000
0/1	0/6	0/40	0/250	0/1600
0/1.6	0/10	0/60	0/400	0/2100
0/2.5	0/16	0/100	0/600	0/2500

