

# SCHAFFER'S DIAPHRAGM GAUGE

DI APHRAGM TYPE

**airmaster**

LOW PRESSURE



V

## SPECIAL FEATURES

- SELECTABLE RANGES FROM 0 to 6000 mmWC
- STANDARD FOLLOWED IN GENERAL EN 837 -3
- AVAILABLE CASE & TOP FLANGE IN ALLUMINIUM &
- AVAILABLE IN ALL STAINLESS STEEL

## APPLICATIONS

SUITABLE FOR CLEAN AIR, CORROSIVE ENVIRONMENTS & GASEOUS OR NON CRYSTALLIZED LIQUID MEDIA THAT WILL NOT OBSTRUCT THE PRESSURE SYSTEM.



## SPECIFICATIONS

### STANDARD VERSION: 100mm & 150mm

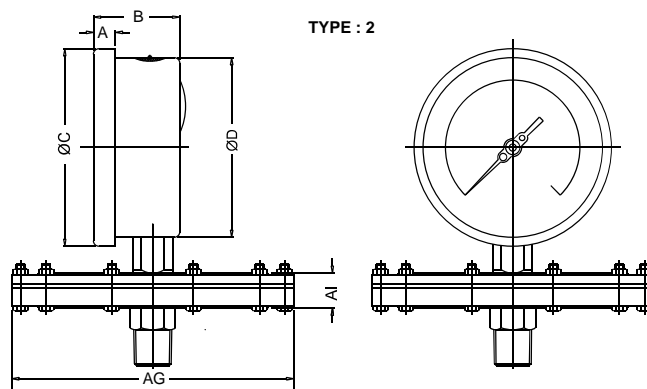
Diaphragm Range	: 0 to 6000 mmWC
Accuracy	: ± 1.6% of F.S.D
Ambient Temperature	: - 25°C to +65°C
Process Temperature	: Max. 100°C
Operating Pressure	: 75% of Scale Value
Over Pressure Limit	: 125% of Scale Value

Case & Bazel	: ALUMINIUM / AISI 304 SS
Top Chamber	: ALUMINIUM / AISI 304 SS
Bottom Chamber	: AISI 316 SS
Movement	: BRASS / AISI 304 SS
Diaphragm	: AISI 316L SS
Gauge Connection	: 3/8" BSP(M) or 1/2" BSP(M)

Protection	: IP 65
Dial	: Aluminium, black graduation on white background
Pointer	: Aluminium, Black Colored, Fixed
Window	: Sheet Glass
Gasket	: Neoprene



## DIMENSIONS - STANDARD VERSION



NS	A	B	ØC	ØD	AG*	AI	Weight (With Box)
100	12.5	47	111	100	158	17.5	2600
150	15.0	49	161	149	158	17.5	3080

Notes: \*Drawings are not to scale. \*All Dimensions are in mm. \*NS = Nominal Size.

## RANGE TABLE

### Pressure Range

SINGLE SCALE (mmWC)		
0/250	0/1000	0/2500
0/400	0/1600	0/4000
0/600	0/2000	0/6000

Note: Also Available in Dual Scale Range Dial

### Vacuum & Compound Range

SINGLE SCALE (mmWC) (VACUUM)		
-250/0	-1000/0	-2500/0
-400/0	-1600/0	-4000/0
-600/0	-2000/0	-6000/0

SINGLE SCALE (mmWC) (COMPOUND)		
-100/150	-400/600	-1000/1500
-150/250	-600/1000	-1500/2500
-200/400	-800/1200	-2000/4000