

COMPACT CAPSULE - DIAPHRAGM GAUGE

DIAPHRAGM TYPE

airmaster

LOW PRESSURE



W

SPECIAL FEATURES

- COMPACT DESIGN
- STAINLESS STEEL OR GLASSFIBER CASE
- AVAILABLE RANGES: 25 mbar to 600 mbar

APPLICATIONS

LOW PRESSURE DRAFT MEASUREMENT, FOOD & BEVERAGES PHARMACEUTICAL, BREWERIES, CONVENTIONAL, CLEAN AIR, GASEOUS, LOW VISCOUS LIQUID & NON CORROSIVE MEDIA THAT WILL NOT OBSTRUCT THE PRESSURE SYSTEM



SPECIFICATIONS

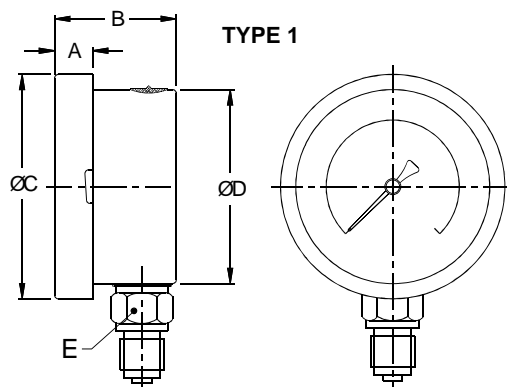
STANDARD VERSION: 63mm, 100mm, 150mm

Accuracy	: ± 2% of F.S.D
Ambient Temperature	: - 25°C to +65°C
Process Temperature	: Max. 100°C
Over Pressure Limit	: Not Suitable

Case & Bazel	: AISI 304 SS / GLASS FIBER
Capsule	: Copper Alloy / AISI 316 SS
Socket	: Copper Alloy / AISI 316 SS
Movement	: Copper Alloy
Joints	: Tin Solder

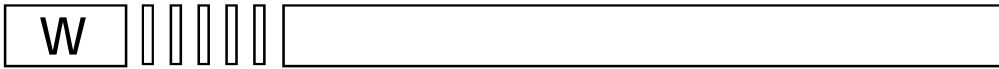
Protection	: IP 55
Dial	: Aluminium, black graduation on white background
Pointer	: Aluminium, Black Colored, Fixed
Window	: Sheet Glass / Plexi Glass
Gasket & Vent Plug	: Neoprene

DIMENSIONS - STANDARD VERSION



NS	A	B	ØC	ØD	E	Weight in gram (With Box)
63	10.5	31.75	71.15	61	14	250
100	16.5	47.5	111.5	100	17	905
150	16	49.5	164.5	245	17	2500

Notes: *Drawings are not to scale. *All Dimensions are in mm. *NS = Nominal Size.



RANGE TABLE

Note : Airmaster offers National / International Scales like mbar , kPa, inWC,mWC, mmHg, & Dual Scale or Equivalent scales as per the requirement can be provided on request

Following are the example table for mmWc scales

PRESSURE RANGE

SINGLE SCALE - mmWC				
0/250	0/600	0/1600	0/2500	0/6000
0/400	0/1000	0/2000	0/4000	

VACUUM & COMPOUND RANGE

SINGLE SCALE - mmWC	ACCUUM			
- 250/0	- 600/0	- 1600/0	- 2500/0	- 6000/0
- 400/0	- 1000/0	- 2000/0	- 4000/0	
(Compound)				
- 100/150	- 200/400	- 600/1000	- 1000/1500	- 2000/4000
- 150/250	- 400/600	- 800/1200	- 1500/2500	

HOW TO ORDER

BASIC MODEL

CODE

Example

W

NOMINAL SIZE

63 mm 100 mm 150 mm

X

TYPE OF MOUNTING

1 WALL / SURFACE / PROJECTION MOUNTING WITH BOTTOM ENTRY

2 DIRECT BOTTOM ENTRY

X
OR
XX

GAUGE CONNECTION (# Applicable for NS 63 mm)

2BM 1/4" BSP (M)# **3BM** 3/8" BSP (M)* **4BM** 1/2" BSP (M)* **4MM** M20 x 1.5 (M)*

2NM 1/4" NPT (M)# **3NM** 3/8" NPT (M)* **4NM** 1/2" NPT (M)*

XXX

* These connections will be provided through adaptors for NS 63 mm. Consult factory for minimum order quantity, price & delivery

RANGE

REFER RANGE TABLE

0/600
mmWC

OPTIONAL EXTRAS

CC FIVE POINT CALIBRATION CERTIFICATE **TG** TOUGHENED GLASS

CD CUSTOM DESIGNED DIAL

AC PLEXI GLASS

XX

* For NS 100 mm & above

Ordering Example: DE- X - X OR XX - XXX - 0/600 mmWC - XX

FOR NON STANDARD PRODUCTS./ OPTIONAL ITEMS, PLEASE CONTACT FACTORY FOR DELIVERY AND MINIMUM QUANTITY OF ORDER.

Note: * Due to continuous improbement, the specification may vary from time to time.